

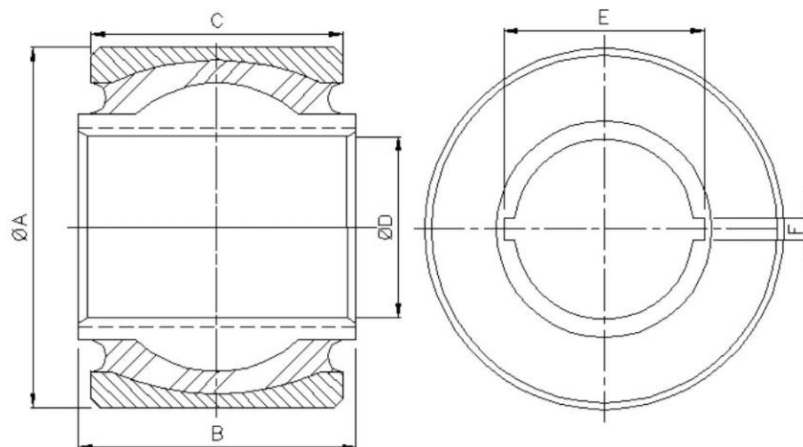
KSV110 Ball Joints

Anti-Vibration Spherical Bearings

Ball joints allow flexible movement whilst tolerating heavy radial and axial loads. Commonly used in vehicle suspensions, they provide anti-vibration support for dynamic parts. Our ball joints feature an internal safety stop system to guarantee full safety in case of impact breaks. Available in a variety of shore hardnesses and compounds to suit your application.

Features:

- Cylindrical joint with internal sleeve, grooved to prevent rotation
- Internal safety stop system in case of impact breaks
- Available in shore hardness range of 35-70
- Stainless steel available on request



Article No.	A (mm)	T ϕ A	C (mm)	E (mm)	B (mm)	D (mm)	T ϕ D	T ϕ E	F	Radial Load (N)	Torsion Angle	Cardanic Angle
KSV11040	110	R7	76		78	40	H8			38000	$\pm 12^\circ$	$\pm 8^\circ$
KSV1104044	110	R7	76	44.6	78	40	H8	H9	5	38000	$\pm 12^\circ$	$\pm 8^\circ$