

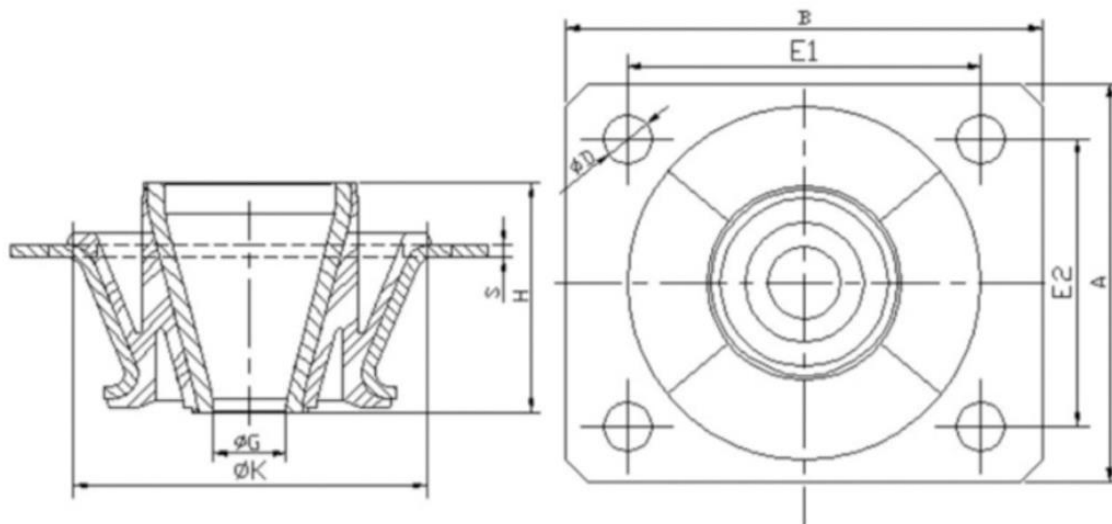
KMVC Cab Mounts

Rectangular Anti-Vibration Cabin Mounts or Cone Mounts

Anti-vibration units designed to take high axial direction loads and isolate the movement of heavy machinery and equipment. They are typically used to support the cabins of road, rail and other vehicles. Our CAB mounts are available in a variety of shore hardnesses and compounds to suit to your application.

Features:

- KMVC mounts feature 'voids' in the rubber to provide an alternative stiffness ratio
- Rectangular shaped flat plate with four fixing holes
- Available in shore hardness range of 35-70
- Stainless steel available on request
- Rebound washers available to control and limit movement



Article No.	A (mm)	B (mm)	H (mm)	phi G (mm)	phi D (mm)	E1 (mm)	E2 (mm)	phi K (mm)	S1 (mm)	Max Load Soft	Max Load Med	Max Load Hard	Deflection
KMVC10753	90	107	53	16	11	80	65	80	4	950	1700	2800	3.5