

Trapezium Dock Bumper 2 Fixings NRSBR 330L x 250W x 100H

Product SKU: 6009405

The standard 2-hole dock bumper design, available in a variety of sizes and materials.

These dock bumpers or dock buffers come in the standard sizes making them suitable for replacing worn parts. They can be attached directly to the vehicle or along the main contact points of the dock leveller or loading bay. Available in a trapezium design or with a straight edge. Choose between the standard NR/SBR rubber or the durable Tyrecord Hi-Fibre TPX rubber. Tyrecord Hi-Fibre material is an extremely strong and durable rubber made using a non-vulcanised tyre compound with nylon or rayon reinforcing fibres. Please note, our 330mm length dock bumpers have no matching front or back plates.

Colour: Black

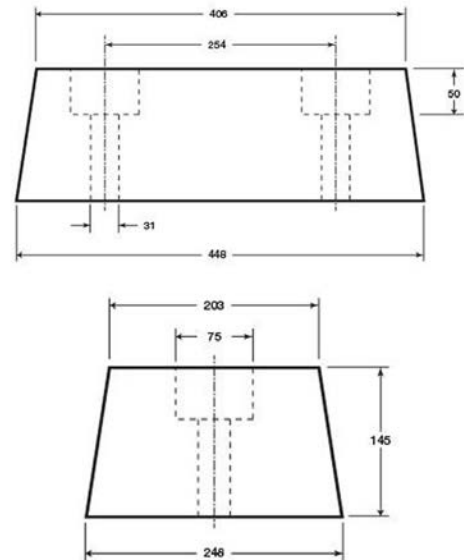
Material: SBR/NR

Weight: 7.2KG

Operating temperature range: -15°C to 70°C

Physical Property	Unit	Typical Values
Hardness	ShA	75
Elongation at Break	%	200
Tensile Strength	MPa	4

Although the technical details and recommendations made correspond to the best of our knowledge and experience, all the above information must, in every case, be taken as merely indicative and subject to confirmation after long-term practical application; for this reason, anyone who intends to use Polymax products must ensure beforehand that it is suitable for the envisaged application. In every case, the user alone is fully responsible for any consequences deriving from the use of the product. All sales subject to our standard terms www.polymax.co.uk/sales-terms



Trapezium Dock Bumper 2 Fixings NRSBR 448L x 248W x 145H

Product SKU: 6004102

The standard 2-hole dock bumper design, available in a variety of sizes and materials.

These dock bumpers or dock buffers come in the standard sizes making them suitable for replacing worn parts. They can be attached directly to the vehicle or along the main contact points of the dock leveller or loading bay. Available in a trapezium design or with a straight edge. Choose between the standard NR/SBR rubber or the durable Tyrecord Hi-Fibre TPX rubber. Tyrecord Hi-Fibre material is an extremely strong and durable rubber made using a non-vulcanised tyre compound with nylon or rayon reinforcing fibres. Please note, our 330mm length dock bumpers have no matching front or back plates.

Colour: Black

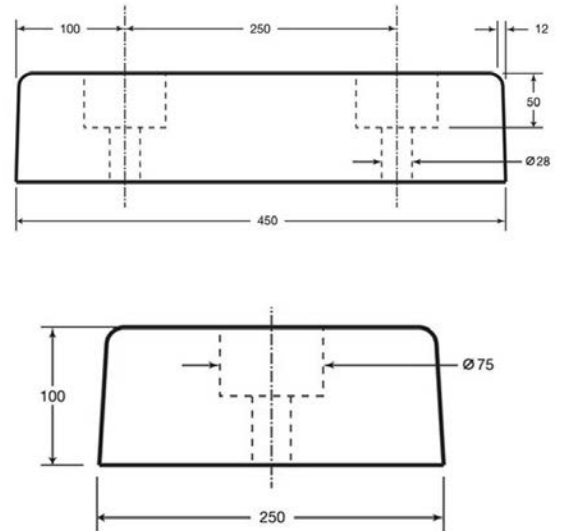
Material: SBR/NR

Weight: 16KG

Operating temperature range: -15°C to 70°C

Physical Property	Unit	Typical Values
Hardness	ShA	75
Elongation at Break	%	200
Tensile Strength	MPa	4

Although the technical details and recommendations made correspond to the best of our knowledge and experience, all the above information must, in every case, be taken as merely indicative and subject to confirmation after long-term practical application; for this reason, anyone who intends to use Polymax products must ensure beforehand that it is suitable for the envisaged application. In every case, the user alone is fully responsible for any consequences deriving from the use of the product. All sales subject to our standard terms www.polymax.co.uk/sales-terms



Trapezium Dock Bumper 2 Fixings NRSBR 450L x 250W x 100H

Product SKU: 6004100

The standard 2-hole dock bumper design, available in a variety of sizes and materials.

These dock bumpers or dock buffers come in the standard sizes making them suitable for replacing worn parts. They can be attached directly to the vehicle or along the main contact points of the dock leveller or loading bay. Available in a trapezium design or with a straight edge. Choose between the standard NR/SBR rubber or the durable Tyrecord Hi-Fibre TPX rubber. Tyrecord Hi-Fibre material is an extremely strong and durable rubber made using a non-vulcanised tyre compound with nylon or rayon reinforcing fibres. Please note, our 330mm length dock bumpers have no matching front or back plates.

Colour: Black

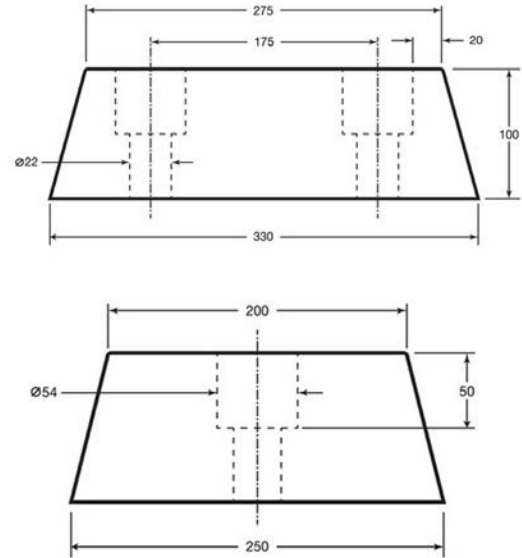
Material: SBR/NR

Weight: 13.5KG

Operating temperature range: -15°C to 70°C

Physical Property	Unit	Typical Values
Hardness	ShA	75
Elongation at Break	%	200
Tensile Strength	MPa	4

Although the technical details and recommendations made correspond to the best of our knowledge and experience, all the above information must, in every case, be taken as merely indicative and subject to confirmation after long-term practical application; for this reason, anyone who intends to use Polymax products must ensure beforehand that it is suitable for the envisaged application. In every case, the user alone is fully responsible for any consequences deriving from the use of the product. All sales subject to our standard terms www.polymax.co.uk/sales-terms



Trapezium Dock Bumper 2 Fixings TPX 330L x 250W x 100H

Product SKU: 6010884

The standard 2-hole dock bumper design, available in a variety of sizes and materials.

These dock bumpers or dock buffers come in the standard sizes making them suitable for replacing worn parts. They can be attached directly to the vehicle or along the main contact points of the dock leveller or loading bay. Available in a trapezium design or with a straight edge. Choose between the standard NR/SBR rubber or the durable Tyrecord Hi-Fibre TPX rubber. Tyrecord Hi-Fibre material is an extremely strong and durable rubber made using a non-vulcanised tyre compound with nylon or rayon reinforcing fibres. Please note, our 330mm length dock bumpers have no matching front or back plates.

Colour: Black

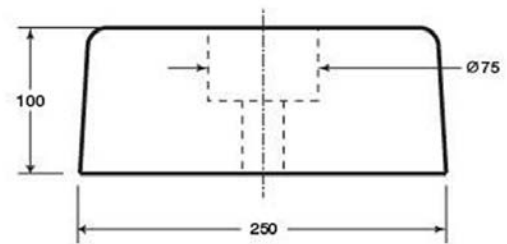
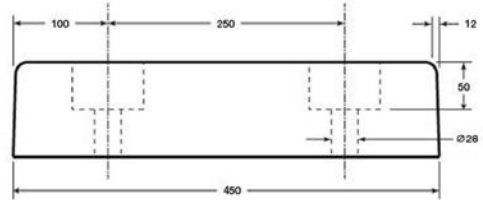
Material: Tyrecord Hi-Fibre

Weight: 6.15KG

Operating temperature range: -15°C to 70°C

Physical Property	Unit	Typical Values
Hardness	ShA	78
Elongation at Break	%	15
Tensile Strength	MPa	3.4

Although the technical details and recommendations made correspond to the best of our knowledge and experience, all the above information must, in every case, be taken as merely indicative and subject to confirmation after long-term practical application; for this reason, anyone who intends to use Polymax products must ensure beforehand that it is suitable for the envisaged application. In every case, the user alone is fully responsible for any consequences deriving from the use of the product. All sales subject to our standard terms www.polymax.co.uk/sales-terms



Trapezium Dock Bumper 2 Fixings TPX 450L x 250W x 100H

Product SKU: 6004101

The standard 2-hole dock bumper design, available in a variety of sizes and materials.

These dock bumpers or dock buffers come in the standard sizes making them suitable for replacing worn parts. They can be attached directly to the vehicle or along the main contact points of the dock leveller or loading bay. Available in a trapezium design or with a straight edge. Choose between the standard NR/SBR rubber or the durable Tyrecord Hi-Fibre TPX rubber. Tyrecord Hi-Fibre material is an extremely strong and durable rubber made using a non-vulcanised tyre compound with nylon or rayon reinforcing fibres. Please note, our 330mm length dock bumpers have no matching front or back plates.

Colour: Black

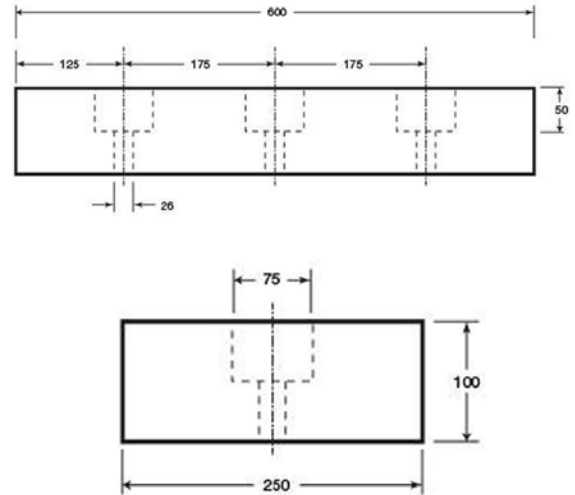
Material: Tyrecord Hi-Fibre

Weight: 11KG

Operating temperature range: -15°C to 70°C

Physical Property	Unit	Typical Values
Hardness	ShA	78
Elongation at Break	%	15
Tensile Strength	MPa	3.4

Although the technical details and recommendations made correspond to the best of our knowledge and experience, all the above information must, in every case, be taken as merely indicative and subject to confirmation after long-term practical application; for this reason, anyone who intends to use Polymax products must ensure beforehand that it is suitable for the envisaged application. In every case, the user alone is fully responsible for any consequences deriving from the use of the product. All sales subject to our standard terms www.polymax.co.uk/sales-terms



Trapezium Dock Bumper 3 Fixings NRSBR 600L x 250W x 100H

Product SKU: 6004201

The standard 3-hole dock bumper design, available in a variety of sizes and materials.

These dock bumpers or dock buffers come in the standard sizes making them suitable for replacing worn parts. They can be attached directly to the vehicle or along the main contact points of the dock leveller or loading bay. Available in a trapezium design or with a straight edge. Choose between the standard NR/SBR rubber or the durable Tyrecord Hi-Fibre TPX rubber. Tyrecord Hi-Fibre material is an extremely strong and durable rubber made using a non-vulcanised tyre compound with nylon or rayon reinforcing fibres. Please note, our 330mm length dock bumpers have no matching front or back plates.

Colour: Black

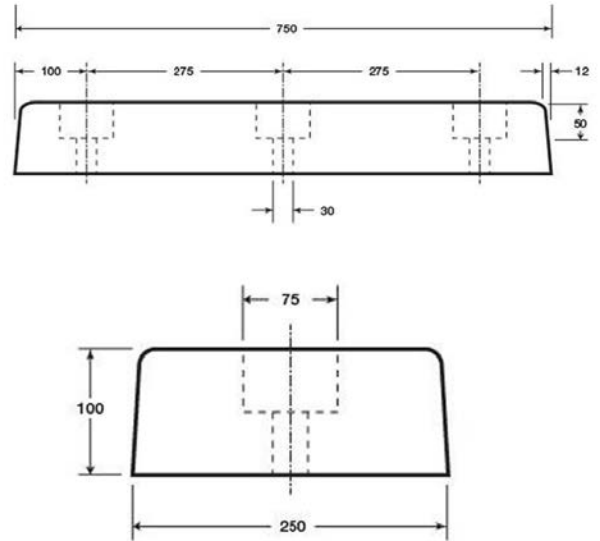
Material: SBR/NR

Weight: 14KG

Operating temperature range: -15°C to 70°C

Physical Property	Unit	Typical Values
Hardness	ShA	75
Elongation at Break	%	200
Tensile Strength	MPa	4

Although the technical details and recommendations made correspond to the best of our knowledge and experience, all the above information must, in every case, be taken as merely indicative and subject to confirmation after long-term practical application; for this reason, anyone who intends to use Polymax products must ensure beforehand that it is suitable for the envisaged application. In every case, the user alone is fully responsible for any consequences deriving from the use of the product. All sales subject to our standard terms www.polymax.co.uk/sales-terms



Trapezium Dock Bumper 3 Fixings NRSBR 750L x 250W x 100H

Product SKU: 6004200

The standard 3-hole dock bumper design, available in a variety of sizes and materials.

These dock bumpers or dock buffers come in the standard sizes making them suitable for replacing worn parts. They can be attached directly to the vehicle or along the main contact points of the dock leveller or loading bay. Available in a trapezium design or with a straight edge. Choose between the standard NR/SBR rubber or the durable Tyrecord Hi-Fibre TPX rubber. Tyrecord Hi-Fibre material is an extremely strong and durable rubber made using a non-vulcanised tyre compound with nylon or rayon reinforcing fibres. Please note, our 330mm length dock bumpers have no matching front or back plates.

Colour: Black

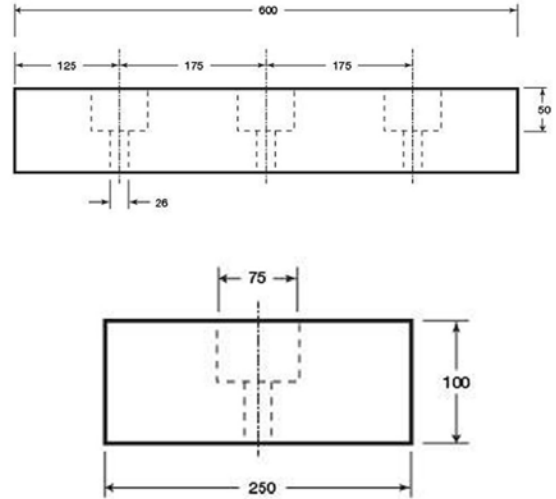
Material: SBR/NR

Weight: 18KG

Operating temperature range: -15°C to 70°C

Physical Property	Unit	Typical Values
Hardness	ShA	75
Elongation at Break	%	200
Tensile Strength	MPa	4

Although the technical details and recommendations made correspond to the best of our knowledge and experience, all the above information must, in every case, be taken as merely indicative and subject to confirmation after long-term practical application; for this reason, anyone who intends to use Polymax products must ensure beforehand that it is suitable for the envisaged application. In every case, the user alone is fully responsible for any consequences deriving from the use of the product. All sales subject to our standard terms www.polymax.co.uk/sales-terms



Trapezium Dock Bumper 3 Fixings TPX 600L x 250W x 100H

Product SKU: 6004204

The standard 3-hole dock bumper design, available in a variety of sizes and materials.

These dock bumpers or dock buffers come in the standard sizes making them suitable for replacing worn parts. They can be attached directly to the vehicle or along the main contact points of the dock leveller or loading bay. Available in a trapezium design or with a straight edge. Choose between the standard NR/SBR rubber or the durable Tyrecord Hi-Fibre TPX rubber. Tyrecord Hi-Fibre material is an extremely strong and durable rubber made using a non-vulcanised tyre compound with nylon or rayon reinforcing fibres. Please note, our 330mm length dock bumpers have no matching front or back plates.

Colour: Black

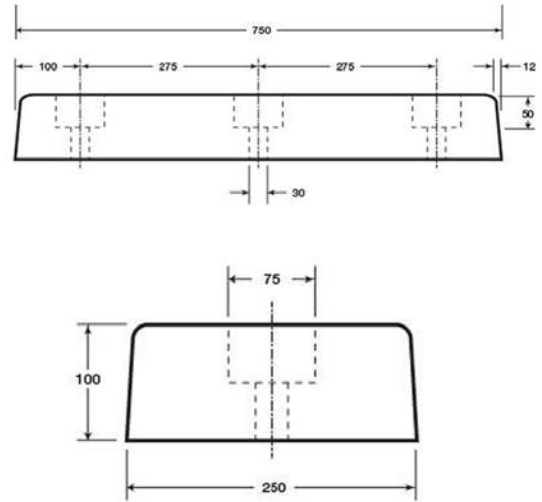
Material: Tyrecord Hi-Fibre

Weight: 17KG

Operating temperature range: -15°C to 70°C

Physical Property	Unit	Typical Values
Hardness	ShA	78
Elongation at Break	%	15
Tensile Strength	MPa	3.4

Although the technical details and recommendations made correspond to the best of our knowledge and experience, all the above information must, in every case, be taken as merely indicative and subject to confirmation after long-term practical application; for this reason, anyone who intends to use Polymax products must ensure beforehand that it is suitable for the envisaged application. In every case, the user alone is fully responsible for any consequences deriving from the use of the product. All sales subject to our standard terms www.polymax.co.uk/sales-terms



Trapezium Dock Bumper 3 Fixings TPX 750L x 250W x 100H

Product SKU: 6004203

The standard 3-hole dock bumper design, available in a variety of sizes and materials.

These dock bumpers or dock buffers come in the standard sizes making them suitable for replacing worn parts. They can be attached directly to the vehicle or along the main contact points of the dock leveller or loading bay. Available in a trapezium design or with a straight edge. Choose between the standard NR/SBR rubber or the durable Tyrecord Hi-Fibre TPX rubber. Tyrecord Hi-Fibre material is an extremely strong and durable rubber made using a non-vulcanised tyre compound with nylon or rayon reinforcing fibres. Please note, our 330mm length dock bumpers have no matching front or back plates.

Colour: Black

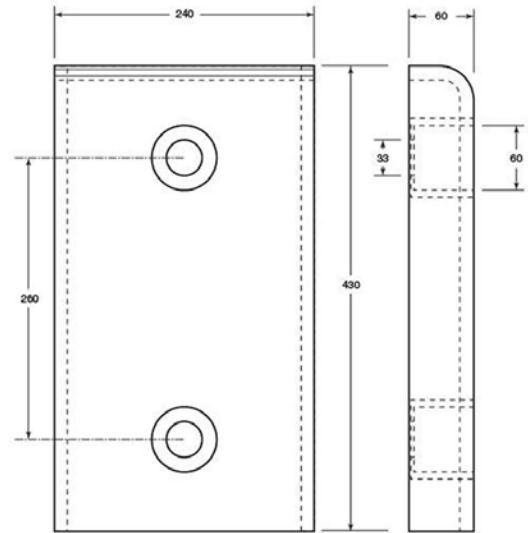
Material: Tyrecord Hi-Fibre

Weight: 17KG

Operating temperature range: -15°C to 70°C

Physical Property	Unit	Typical Values
Hardness	ShA	78
Elongation at Break	%	15
Tensile Strength	MPa	3.4

Although the technical details and recommendations made correspond to the best of our knowledge and experience, all the above information must, in every case, be taken as merely indicative and subject to confirmation after long-term practical application; for this reason, anyone who intends to use Polymax products must ensure beforehand that it is suitable for the envisaged application. In every case, the user alone is fully responsible for any consequences deriving from the use of the product. All sales subject to our standard terms www.polymax.co.uk/sales-terms



Trapezium Dock Bumper Front Plate 2 Fixings Steel 415L x 215W x 62H

Product SKU: 6009623

Collection of front plates that can be attached to help improve the endurance of the dock bumper.

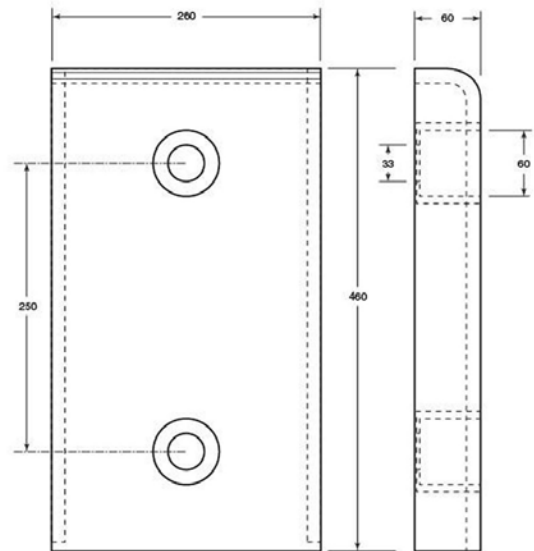
Attaching a front plate to the dock bumper significantly increases its durability and performance over time. There are different varieties to suit different sized bumpers. The 3-part set, high visibility and slimline dock bumpers are sold with the front plate included. Please contact our friendly sales team for the best advice according to your application.

Colour: Silver

Material: Steel

Weight: 14KG

Operating temperature range: -15°C to 70°C



Trapezium Dock Bumper Front Plate 2 Fixings Steel 440L x 250W x 62H

Product SKU: 6009101

Collection of front plates that can be attached to help improve the endurance of the dock bumper.

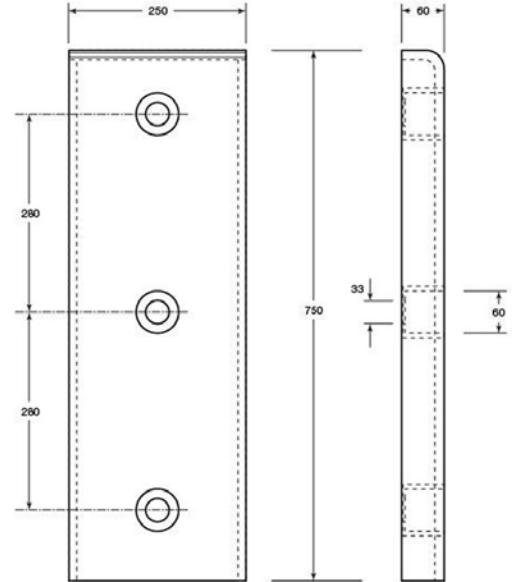
Attaching a front plate to the dock bumper significantly increases its durability and performance over time. There are different varieties to suit different sized bumpers. The 3-part set, high visibility and slimline dock bumpers are sold with the front plate included. Please contact our friendly sales team for the best advice according to your application.

Colour: Silver

Material: Steel

Weight: 16KG

Operating temperature range: -15°C to 70°C



Trapezium Dock Bumper Front Plate 3 Fixings Steel 732L x 250W x 62H

Product SKU: 6009103

Collection of front plates that can be attached to help improve the endurance of the dock bumper.

Attaching a front plate to the dock bumper significantly increases its durability and performance over time. There are different varieties to suit different sized bumpers. The 3-part set, high visibility and slimline dock bumpers are sold with the front plate included. Please contact our friendly sales team for the best advice according to your application.

Colour: Silver

Material: Steel

Weight: 26KG

Operating temperature range: -15°C to 70°C