

High Visibility 2 Fixings Back Rubber Element 450L x 250W x 100H

Product SKU: 6010917

Collection of back plates used to secure the dock bumpers along walls or dock levellers.

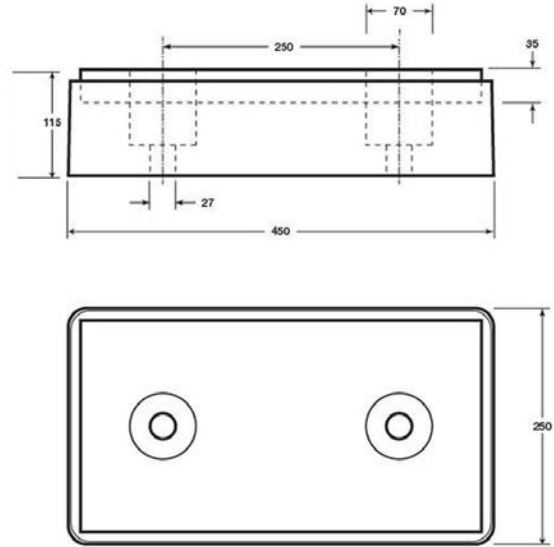
Back plates help improve the structural integrity of the dock bumper whilst making assembly much easier. It is highly recommended to secure the dock bumper with a backing plate. The 3-part set, high visibility and slimline dock bumpers are sold with the back plate included. Please contact our friendly sales team for the best advice according to your application.

Colour: Black

Material: (NR/SBR)

Weight: 10KG

Operating temperature range: -15°C to 70°C



High Visibility 2 Fixings Front Rubber Element 410L x 210W x 35H

Product SKU: 6010891

Collection of front plates that can be attached to help improve the endurance of the dock bumper.

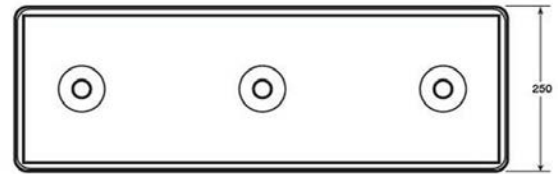
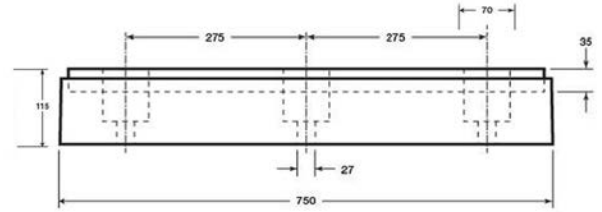
Attaching a front plate to the dock bumper significantly increases its durability and performance over time. There are different varieties to suit different sized bumpers. The 3-part set, high visibility and slimline dock bumpers are sold with the front plate included. Please contact our friendly sales team for the best advice according to your application.

Colour: Yellow

Material: UHMWP

Weight: 2.5KG

Operating temperature range: -15°C to 70°C



High Visibility 3 Fixings Back Rubber Element 750L x 250W x 100H

Product SKU: 6010918

Collection of back plates used to secure the dock bumpers along walls or dock levellers.

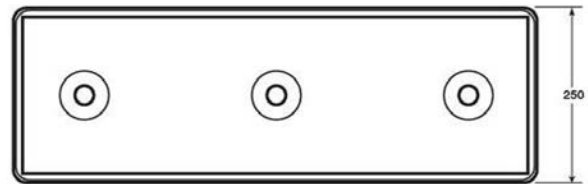
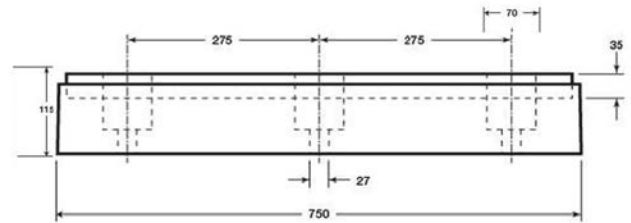
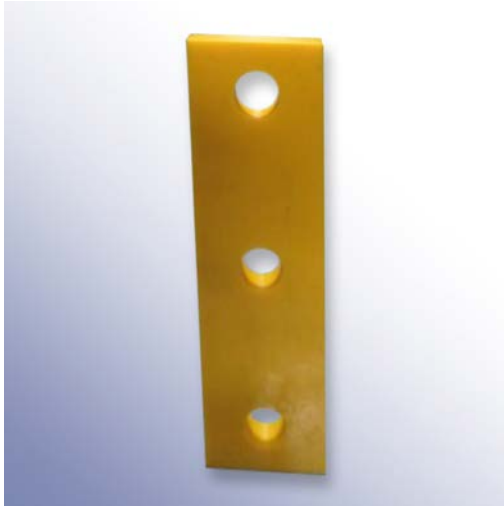
Back plates help improve the structural integrity of the dock bumper whilst making assembly much easier. It is highly recommended to secure the dock bumper with a backing plate. The 3-part set, high visibility and slimline dock bumpers are sold with the back plate included. Please contact our friendly sales team for the best advice according to your application.

Colour: Black

Material: (NR/SBR)

Weight: 17KG

Operating temperature range: -15°C to 70°C



High Visibility 3 Fixings Front Rubber Element 710L x 210W x 35H

Product SKU: 6010892

Collection of front plates that can be attached to help improve the endurance of the dock bumper.

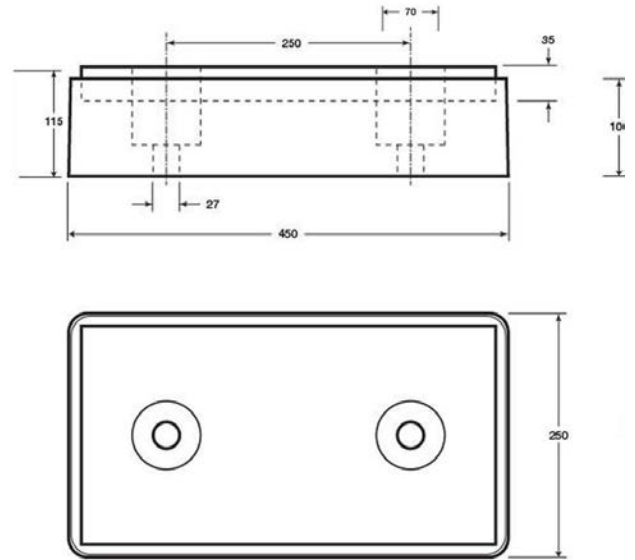
Attaching a front plate to the dock bumper significantly increases its durability and performance over time. There are different varieties to suit different sized bumpers. The 3-part set, high visibility and slimline dock bumpers are sold with the front plate included. Please contact our friendly sales team for the best advice according to your application.

Colour: Yellow

Material: UHMWP

Weight: 4.5KG

Operating temperature range: -15°C to 70°C



High Visibility Dock Bumper 2 Fixings 450L x 250W x 115H

Product SKU: 6009400

High visibility design with a durable and low coefficient of friction polyurethane front plate. Available with 2 or 3 bolt holes.

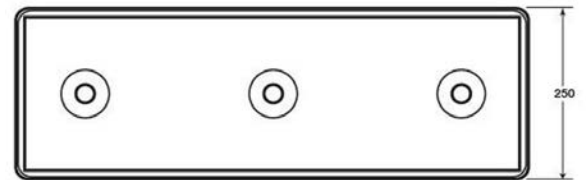
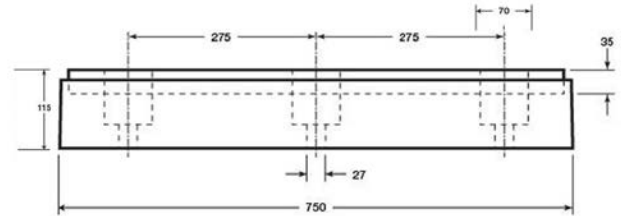
These high visibility dock bumpers help drivers line up their vehicles with the dock. They are made from a high molecular weight polyurethane material which is very durable and has a low coefficient of friction. Both the front and back plate can be easily replaced in case they become worn.

Colour: Black / Yellow

Material: UHMWP

Weight: 12.5KG

Operating temperature range: -15°C to 70°C



High Visibility Dock Bumper 3 Fixings 750L x 250W x 115H

Product SKU: 6009401

High visibility design with a durable and low coefficient of friction polyurethane front plate. Available with 2 or 3 bolt holes.

These high visibility dock bumpers help drivers line up their vehicles with the dock. They are made from a high molecular weight polyurethane material which is very durable and has a low coefficient of friction. Both the front and back plate can be easily replaced in case they become worn.

Colour: Black / Yellow

Material: UHMWP

Weight: 21.5KG

Operating temperature range: -15°C to 70°C